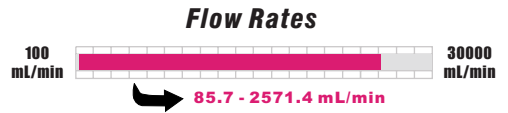




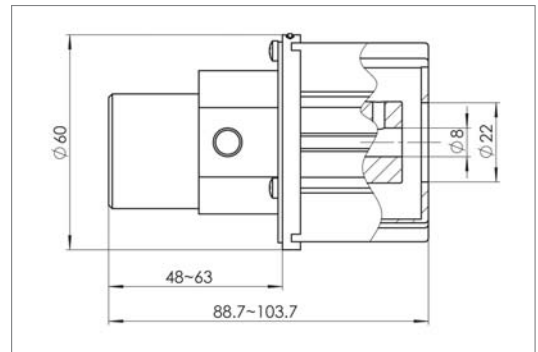
WT3000-1FB Micro Gear Pump



Applicable Pump Heads



Pump Head Installation Drawing



WT3000-1FB gear pump has two work modes of flow mode and dispensing mode. It delivers flow rates from 85.7 to 2571.4 mL/min and the dispensing volume is from 0.1 mL to 999L. 128×32 LCD displays the parameters and information. The compact and precise gear pump heads are noiseless, pulsation-free and suitable to transfer high temperature and high pressure fluids.

Specifications

Flow rates	85.7 - 2571.4 (mL/min)
Dispensing volume	0.1 mL - 999 L
Copy number	0 - 9999 ("0" means running continuously)
Pause time	1s - 999 h
Fluid viscosity	≤200 cSt
External control input	Start/stop control, flow rates control (0.5 - 5 V, 1 - 10V, 4 - 20 mA, 1 - 10 kHz optional)
External control output	Pulse output 0 - 12.5 kHz (corresponding to 0-3000 rpm) , start/stop state output
Communication interface	RS485
Max. outlet pressure (testing medium is water)	MS204: 1.4MPa MS209: 0.9MPa MS213: 0.8MPa
Power supply	AC 220/110V ±20%, 50Hz/60Hz
Power consumption	≤150 W
Operating condition	Temperature 0 to 40°C Relative humidity <90% (non-condensing)
Drive weights	5.1 kg
Drive Dimensions	290×207×180 (mm) (L×W×H)
IP rating	IP 31

Functions and Features

- Acceptable pump heads: MS204, MS209, MS213
- Suitable to transfer viscous, high temperature fluids or transfer the fluids in pressure condition
- Compact size, noiseless, pulsation-free
- Dispensing volume, copy number and pause time can be set
- Flow rates and dispensing volume can be calibrated for higher accuracy
- Combine the membrane keypad and rotary encoder switch to make the operation easy
- Prime function for fast filling and emptying
- The pump has external control input and output ports
- Store the running parameters automatically
- Decoupling will occur when the pump load exceeds the maximum coupling torque provided by the alignment of the two magnets

Drive	Part Number	Pump Head	Speed (rpm)	Flow Rates (mL/min)	Weight (kg)
WT3000 - 1FB	0502712	MS204	300-3000	85.7 - 857.1	5.39
		MS209		171.4 - 1714.3	5.40
		MS213		257.1 - 2571.4	5.42

